

Incremental-Encoder IH 120

TR-VCE-TI-GB-0650
04/12 Revision 03
010101-01209999-9999



- + Incremental interface
- + Type with hollow through shaft for direct coupling to any drive shaft (\varnothing 27 ... 55 mm)
- + Number of pulses per revolution up to 10 000

Characteristics

| | |
|--|---|
| Supply Voltage | 11 - 27 V DC |
| 5 V DC | Upon Request |
| Output (11-27 V) | Push-Pull |
| - Maximum Current | max. 20 mA |
| - Incremental Signal | A, A neg., B, B neg. |
| - Marker Pulse | Z, Z neg., 1 pulse per revolution |
| - Maximum Output Frequency | 160 kHz |
| Output (5 V) | Line Driver |
| - Maximum Current | max. 20 mA |
| - Incremental Signal | A, A neg., B, B neg. |
| - Marker Pulse | Z, Z neg., 1 pulse per revolution |
| - Maximum Output Frequency | 300 kHz |
| Tolerance (at 20 kHz) | |
| - Phase Shift | $\pm 10^\circ$ |
| - Pulse Width | $\pm 10^\circ$ |
| Tolerance (at 100 kHz) | |
| - Phase Shift | $\pm 30^\circ$ |
| - Pulse Width | $\pm 30^\circ$ |
| Pulses per Revolution (standard) | 1024, 2500, 3600 and 10 000, other pulse numbers upon request |
| Option | Sinusoidal Signal, 160 kHz (-3dB), voltage or current source |
| Maximum Rotational Speed | 4000 RPM |
| Maximum Angular Acceleration | $\leq 10^4 \text{ rad/s}^2$ |
| Momentum of Inertia | $400 \times 10^{-6} \text{ kg m}^2$ |
| Startup Momentum 20°C (68° F) | approx. 0,10 Nm |
| Standard Connector | radial cable (pigtail), different cable lengths on request |
| Weight | 1.2 kg (2.6 lb.) |

Subject to change

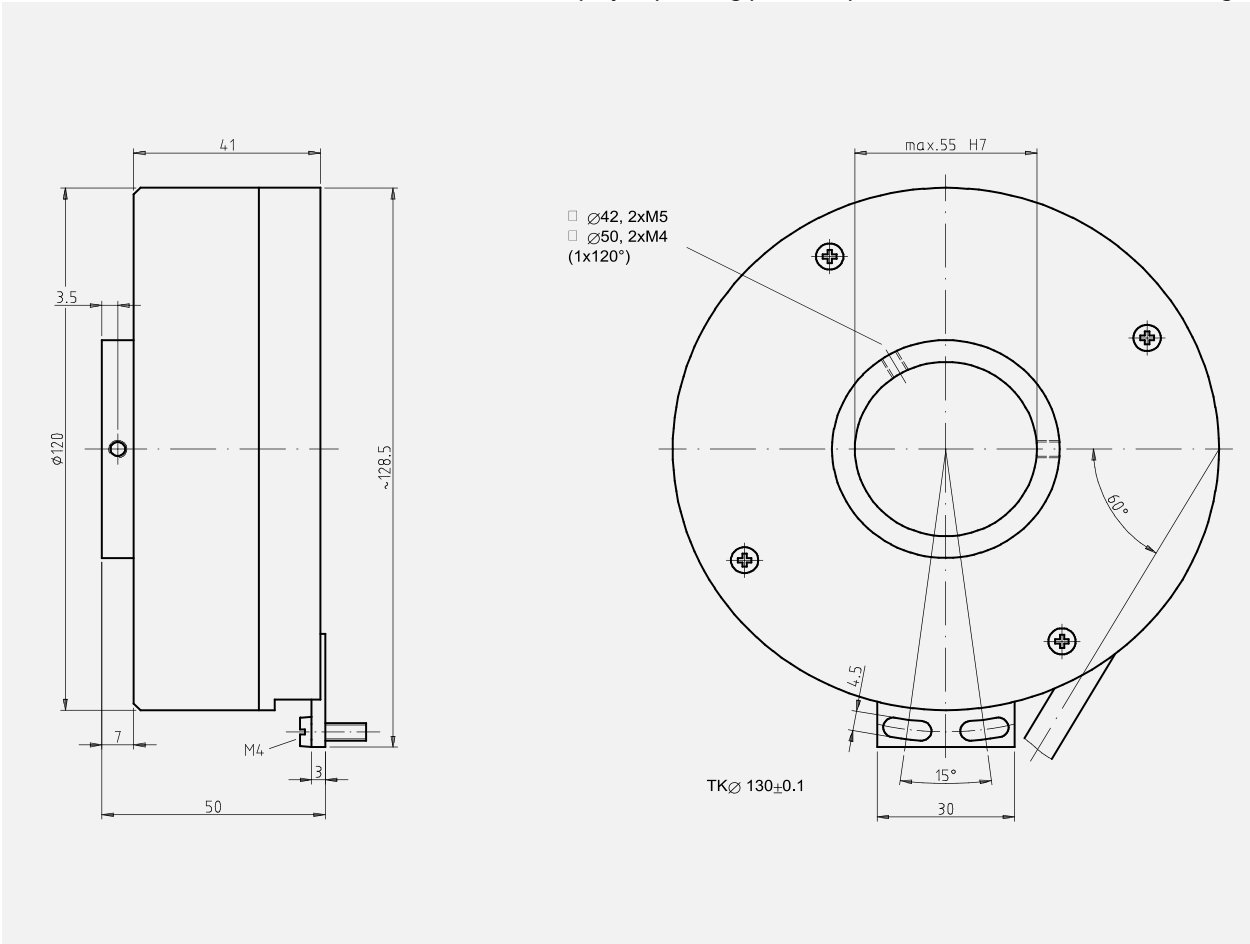
Environmental conditions

| | |
|---|---|
| Vibration, DIN EN 60068-2-6: 1996 | ≤ 100 m/s ² , sine 20-2000 Hz |
| Shock, DIN EN 60068-2-27: 1995..... | ≤ 1000 m/s ² , half-sine 11 ms |
| EMC | |
| - Immunity to disturbance, DIN EN 61000-6-2: 2006 | |
| - Transient emissions, DIN EN 61000-6-3: 2007 | |
| Operating Temperature..... | 0° to 80°C (32° F to 176° F) |
| Extended Temperature (Optional) | -30° to +80°C (-22° to 176°F) |
| Relative humidity, DIN EN 60068-3-4: 2002 | 98 %, non condensing |
| Protection class, DIN EN 60529: 1991 *)..... | IP 64 |

*) valid with screwed on mating connector and / or screwed together cable gland

Dimension drawing

(For project planning please request customized dimensional drawing!)



Subject to change