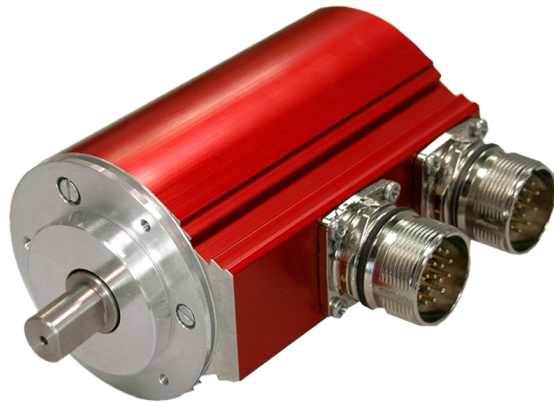


Absolute-Encoder CEV58 - SSI



Ref.: K-CDV58-M-2

18.11.2013

010102005804010201

Advantages

- _ Further interfaces available
- _ High resolution system
- _ Modular mechanical design
- _ Modular product line
- _ Redundant scanning system

General Data

Supply	
- Supply voltage	11...27 VDC
- Multi feeding	dual
Current consumption no load	<= 700 mA
Device design	
- Type	Single-/Multi-Turn
- Redundant scanning system	yes, double
Number of steps per revolution	<= 262144
Number of revolutions	<= 256000
Interface - variants	
- System 1	System 2
- SSI	SSI, Incremental + progr.
- Incremental	Incremental + progr.
- Incremental, programmable	Incremental, progr.
- Position deviation system 1/2	<= ± 1
Parameter/Function, changeable	Resolution
Type of parametrization	programmable
Prgramming - Tool	TR-Soft: TRWinProg
Maximum Speed, mechanically	<= 6000 1/min
Shaft load, axial/radial	<= 10 N, <= 20 N
Bearing life time	>= 3.9E+10 revolutions

Subject to change.

TR-Electronic GmbH
 Eglisshalde 6
 78647 Trossingen
 Tel. +49 (0) 7425 228-0
 info@tr-electronic.de
www.tr-electronic.de

Absolute-Encoder CEV58 - SSI

Ref.: K-CDV58-M-2
18.11.2013
010102005804010201

General Data continuation

Bearing life time - Parameter	
- Speed	6000 1/min
- Operating temperature	60 °C
- Shaft load, axial/radial	<= 5 N, <= 10 N
Point of origin, shaft load	at the shaft end
Angular acceleration	<= 10E+4 rad/s ²
Moment of inertia, typically	5E-6 kg m ²
Start-up torque, 20 °C	4 Ncm
Mass, typically	0.6 kg...1 kg

Environmental conditions

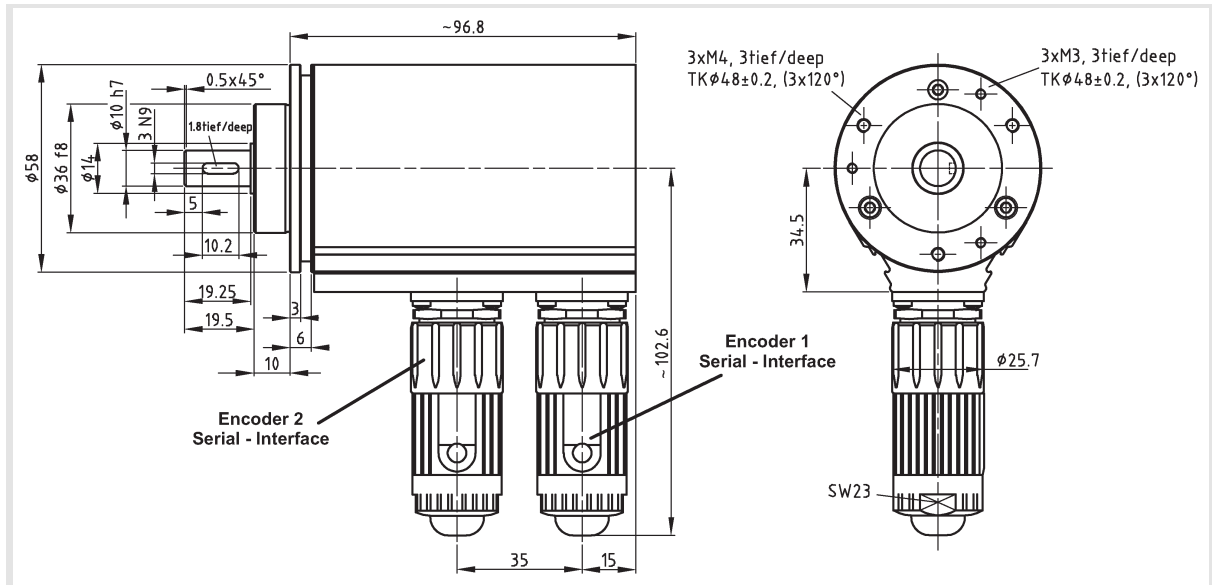
Vibration	
- Specific value	<= 100 m/s ²
- Sine	50...2000 Hz
Shock	
- Specific value	<= 1000 m/s ²
- Half sine	11 ms
Immunity to disturbance	DIN EN 61000-6-2
Transient emissions	DIN EN 61000-6-3
Working temperature	
- Standard	0...+60 °C
- Optional	-20...+70 °C;
Storage temperature, dry	-30...+80 °C
Relative humidity	98 %, non condensing
Protection class	
- Standard	IP65

Subject to change.

Absolute-Encoder CEV58 - SSI

Ref.: K-CDV58-M-2
 18.11.2013
 010102005804010201

Dimensional drawing



Subject to change.