

Absolute-Encoder QDH80M - SSI / INK

Ref.: K-QDH80-SSI-1

14.11.2013

010102008102010202

Advantages

- Customer-specific solutions
- Flexible programming
- Further interfaces available
- Modular product line
- Redundant scanning system
- Rugged construction



General Data

Supply	
- Supply voltage	11...27 VDC
Current consumption no load	<= 200 mA
Device design	
- Type	Multi-Turn
- Redundant scanning system	yes, double
Total resolution	<= 31 Bit
Number of steps per revolution	<= 8192
Number of revolutions	<= 256000
Output capacity	<= 30 Bit
SSI - Interface	
- SSI-Clock input	Optocoupler
- SSI-Data output	RS-422, 2-wire
- SSI-Clock frequency	80...1000 kHz
- SSI-Mono time, typically	20 µs
Incremental - Interface	
- Equipment	Standard interface
- Signal form	Square wave
- Signal form, alternative	SIN / COS
- Incremental signals, square	K1± K2± K0±
- Incremental signals, SIN/COS	SIN± COS±, 1 V _{ss}
- Impulses, square wave	4096 □

Subject to change.

TR-Electronic GmbH
 Eglshalde 6
 78647 Trossingen
 Tel. +49 (0) 7425 228-0
 info@tr-electronic.de
www.tr-electronic.de

Absolute-Encoder QDH80M - SSI / INK

Ref.: K-QDH80-SSI-1

14.11.2013

010102008102010202

General Data continuation

- Impulses, SIN/COS	4096 □
- Output driver, TTL	RS-422, 5 VDC
Parameter/Function, changeable	Resolution
	Output code
	Output format
	Number of data bits
	Preset parameter
	Counting direction
Type of parametrization	programmable
Prgramming - Tool	TR-Soft: TRWinProg
External inputs	
- F/R	Count direction
- Preset	electronic adjustment
- Logic level	"0" < +2V, "1" = Supply
Maximum Speed, mechanically	<= 3000 1/min
Shaft load, axial/radial	Own mass
Bearing life time	>= 3.9E+10 revolutions
Bearing life time - Parameter	
- Speed	3000 1/min
- Operating temperature	60 °C
Angular acceleration	<= 10E+4 rad/s ²
Moment of inertia, typically	57.2E-6 kg m ²
Mass, typically	1.3 kg
Optional Parallel Outputs	
- Parallel outputs	8 outputs
- Output current	50 mA per output
- short circuit protected	yes
- Output driver, HTL	Push-Pull, 11...27 VDC

Environmental conditions

Vibration	
- Specific value	<= 100 m/s ²
- Sine	50...2000 Hz
Shock	
- Specific value	<= 1000 m/s ²
- Half sine	11 ms

Subject to change.

Absolute-Encoder QDH80M - SSI / INK

Ref.: K-QDH80-SSI-1

14.11.2013

010102008102010202

Environmental conditions continuation

Immunity to disturbance	DIN EN 61000-6-2
Transient emissions	DIN EN 61000-6-3
Working temperature - Standard	0...+60 °C
Storage temperature, dry	-30...+120 °C
Relative humidity	98 %, non condensing
Protection class - Standard	IP54

Subject to change.

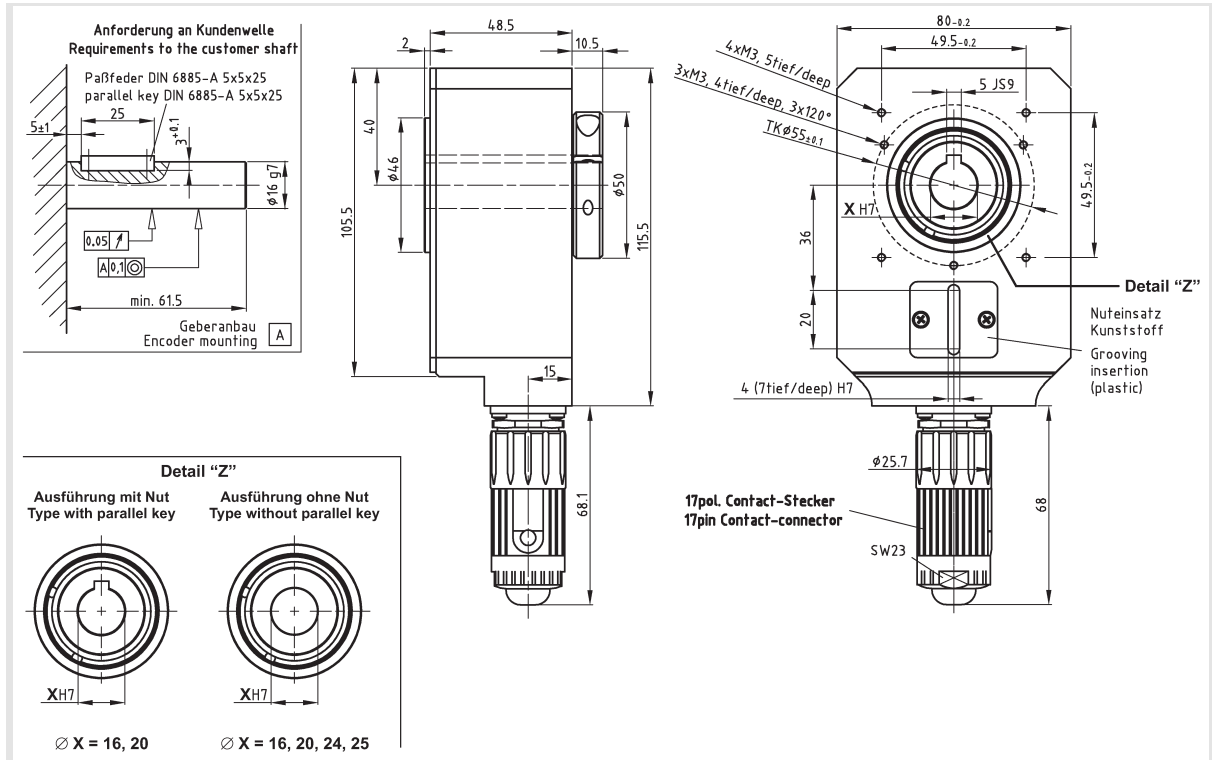
Absolute-Encoder QDH80M - SSI / INK

Ref.: K-QDH80-SSI-1

14.11.2013

010102008102010202

Dimensional drawing



Subject to change.