

Absolute-Encoder CEV58 - PB, Plugs

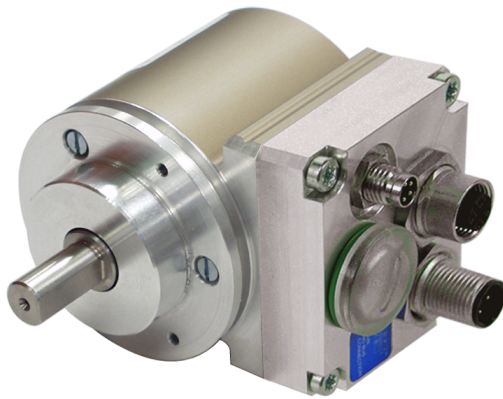
Ref.: K-CEV58-PB-1

18.11.2013

010102005802020201

Advantages

- _ Customer-specific solutions
- _ Flexible programming
- _ Further interfaces available
- _ Modular mechanical design
- _ Modular product line
- _ Short lead times



General Data

Supply	
- Supply voltage	11...27 VDC
Current consumption no load	<= 350 mA
Device design	
- Type	Single-/Multi-Turn
Total resolution	<= 33 Bit
Number of steps per revolution	<= 32768
Number of revolutions	<= 256000
Output capacity	<= 25 Bit
PROFIBUS - Interface	
- PROFIBUS-DP V0	IEC 61158, IEC 61784
- PNO Encoder-Profile	Class 1 and 2
Transmission rate	
- Specific value	9.6...12000 kbit/s
Parameter/Function, changeable	Resolution
	Output code
	Adjustment - Parameter
	Counting direction
	Gear function
	Velocity parameter
Type of parametrization	programmable
Prgramming - Tool	Fieldbus-Device

Subject to change.

TR-Electronic GmbH
 Eglshalde 6
 78647 Trossingen
 Tel. +49 (0) 7425 228-0
 info@tr-electronic.de
www.tr-electronic.de

Absolute-Encoder CEV58 - PB, Plugs

Ref.: K-CEV58-PB-1
18.11.2013
010102005802020201

General Data continuation

Maximum Speed, mechanically	≤ 12000 1/min
Shaft load, axial/radial	≤ 10 N, ≤ 20 N
Bearing life time	$\geq 3.9E+10$ revolutions
Bearing life time - Parameter - Speed	6000 1/min
- Operating temperature	60 °C
- Shaft load, axial/radial	≤ 5 N, ≤ 10 N
Point of origin, shaft load	at the shaft end
Angular acceleration	$\leq 10E+4$ rad/s ²
Moment of inertia, typically	2.5E-6 kg m ²
Start-up torque, 20 °C	2 Ncm
Mass, typically	0.3...0.5 kg

Environmental conditions

Vibration - Specific value	≤ 100 m/s ²
- Sine	50...2000 Hz
Shock - Specific value	≤ 1000 m/s ²
- Half sine	11 ms
Immunity to disturbance	DIN EN 61000-6-2
Transient emissions	DIN EN 61000-6-3
Working temperature - Standard	0...+60 °C
- Optional	-20...+70 °C;
Storage temperature, dry	-30...+80 °C
Relative humidity	98 %, non condensing
Protection class - Standard	IP65

Subject to change.

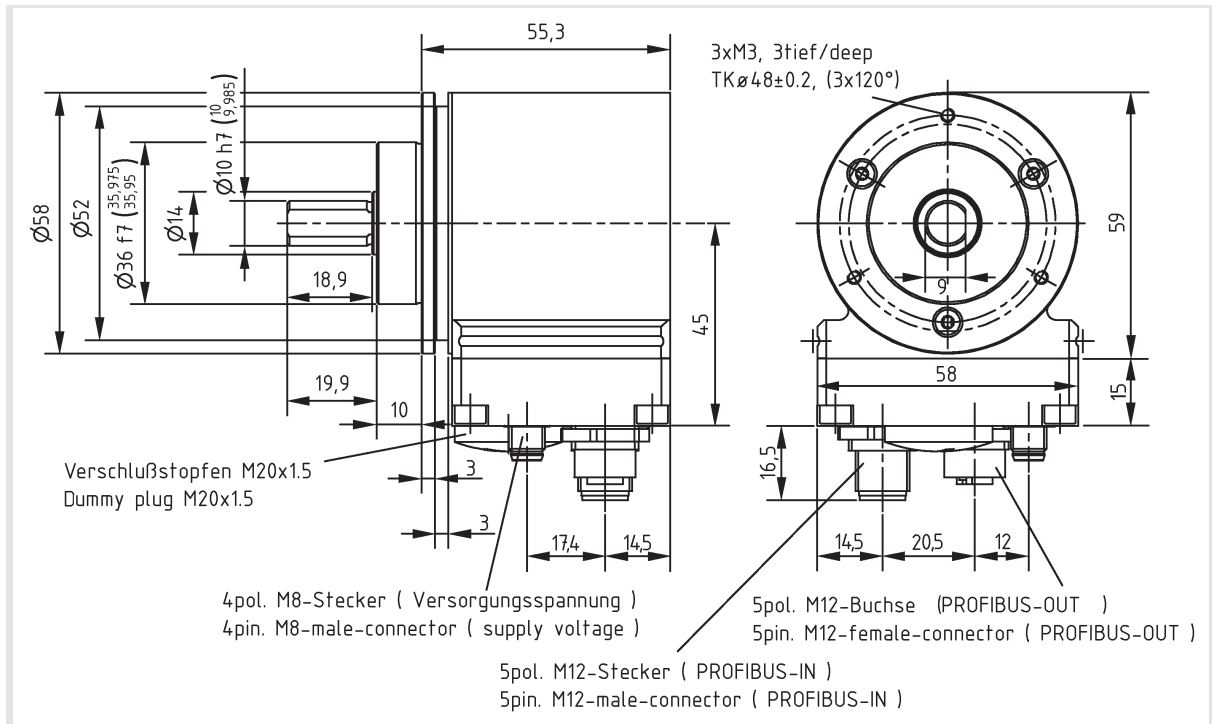
Absolute-Encoder CEV58 - PB, Plugs

Ref.: K-CEV58-PB-1

18.11.2013

010102005802020201

Dimensional drawing



Suggested products

CEV58M*8192/4096 PB 36ZB10FL
Feldbushaube

CEV58M-00167

CEV58M*8192/4096 PB 36ZB10FL
2x 5 pol M12 1x 4 pol M8

CEV58M-00299

Subject to change.