

Absolute-Encoder CEV65 - PB / SSI

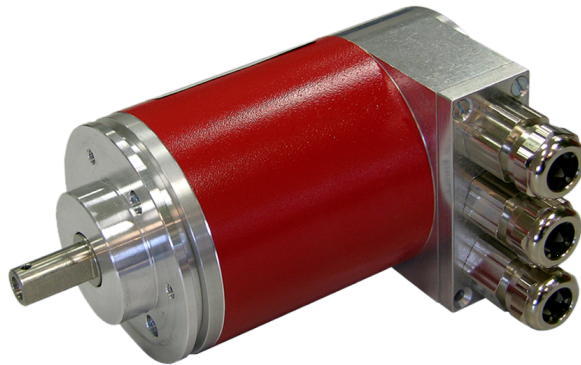
Ref.: K-CEV65-PB-1

18.11.2013

010102006502020201

Advantages

- _ Customer-specific solutions
- _ Flexible programming
- _ Further interfaces available
- _ Modular mechanical design
- _ Modular product line



General Data

Supply	
- Supply voltage	11...27 VDC
Current consumption no load	<= 350 mA
Device design	
- Type	Single-/Multi-Turn
Total resolution	<= 31 Bit
Number of steps per revolution	<= 8192
Number of revolutions	<= 256000
Output capacity	<= 25 Bit
PROFIBUS - Interface	
- PROFIBUS-DP V0	IEC 61158, IEC 61784
- PNO Encoder-Profile	Class 1 and 2
SSI - Interface	
- Equipment	Optional interface
- SSI-Clock input	Optocoupler
- SSI-Data output	RS-422, 2-wire
- SSI-Clock frequency	80...1000 kHz
- SSI-Mono time, typically	18 μ s
Incremental - Interface	
- Equipment	Optional interface
- Incremental signals, square	K1 \pm K2 \pm
- Impulses, square wave	1024 or 2048

Subject to change.

TR-Electronic GmbH
 Eglisshalde 6
 78647 Trossingen
 Tel. +49 (0) 7425 228-0
 info@tr-electronic.de
www.tr-electronic.de

Absolute-Encoder CEV65 - PB / SSI

Ref.: K-CEV65-PB-1
18.11.2013
010102006502020201

General Data continuation

- Output driver, TTL	RS-422, 5 VDC
Transmission rate	
- Specific value	9.6...12000 kbit/s
Cycle time	250 µs
Parameter/Function, changeable	Resolution
	Output code
	Limit switch
	External Preset inputs
	Adjustment - Parameter
	SSI-Parameter
	Counting direction
	Gear function
	Velocity parameter
Type of parametrization	programmable
Prgramming - Tool	Fieldbus-Device
External inputs	
- Preset	electronic adjustment
- Logic level	"0" < +2V, "1" = Supply
Maximum Speed, mechanically	<= 6000 1/min
Shaft load, axial/radial	<= 40 N, <= 60 N
Bearing life time	>= 3.9E+10 revolutions
Bearing life time - Parameter	
- Speed	3000 1/min
- Operating temperature	60 °C
- Shaft load, axial/radial	<= 20 N, <= 30 N
Point of origin, shaft load	at the shaft end
Angular acceleration	<= 10E+4 rad/s ²
Moment of inertia, typically	2.5E-6 kg m ²
Start-up torque, 20 °C	2 Ncm
Mass, typically	0.7 kg

Environmental conditions

Vibration	
- Specific value	<= 100 m/s ²
- Sine	50...2000 Hz

Subject to change.

Absolute-Encoder CEV65 - PB / SSI

Ref.: K-CEV65-PB-1
18.11.2013
010102006502020201

Environmental conditions continuation

Shock	
- Specific value	$\leq 1000 \text{ m/s}^2$
- Half sine	11 ms
Immunity to disturbance	DIN EN 61000-6-2
Transient emissions	DIN EN 61000-6-3
Working temperature	
- Standard	0...+60 °C
- Optional	-20...+70 °C;
Storage temperature, dry	-30...+80 °C
Relative humidity	98 %, non condensing
Protection class	
- Standard	IP65

Subject to change.

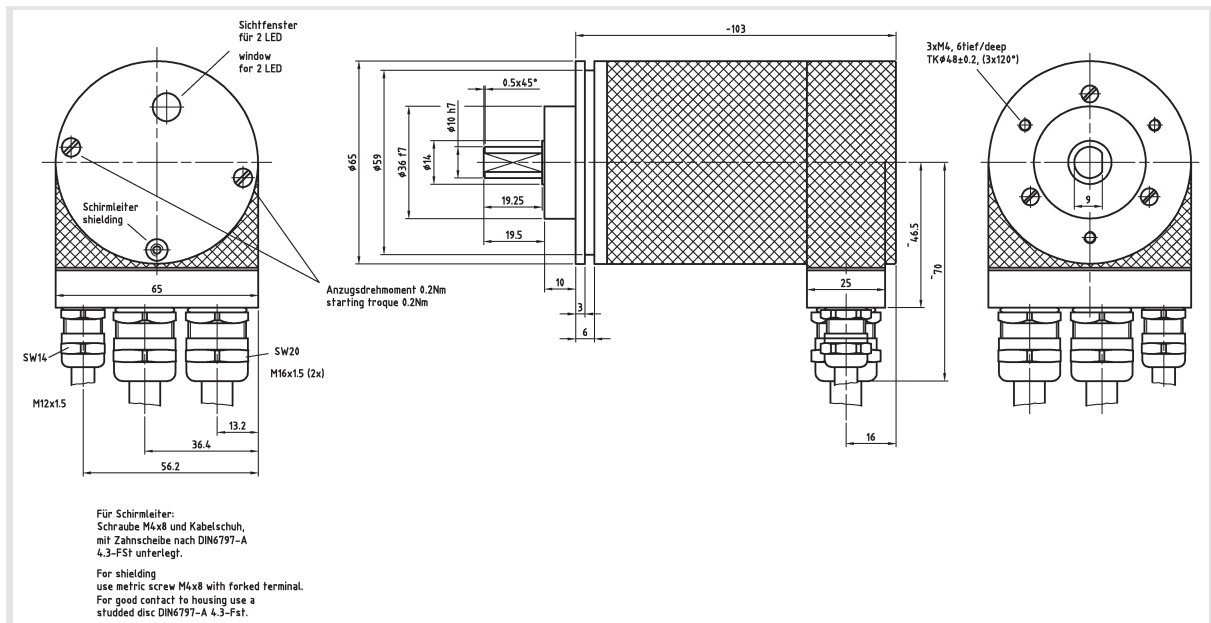
Absolute-Encoder CEV65 - PB / SSI

Ref.: K-CEV65-PB-1

18.11.2013

010102006502020201

Dimensional drawing



Suggested products

CEV65M*4096/4096 PB (ALT.:110-01460) Feldbushaube	CEV65M-01460
CEV65M*8192/4096 PB (ALT.:110-01542) Feldbushaube	CEV65M-01542
CEV65M*4096/4096 PB 50ZB6GL Feldbushaube	CEV65M-01748
CEV65M*8192/4096 PB (ALT.: 110-01858) Feldbushaube	CEV65M-01858

Subject to change.

TR-Electronic GmbH
Eglshalde 6
78647 Trossingen
Tel. +49 (0) 7425 228-0
info@tr-electronic.de
www.tr-electronic.de