

# Absolute-Encoder COV58 - EPN

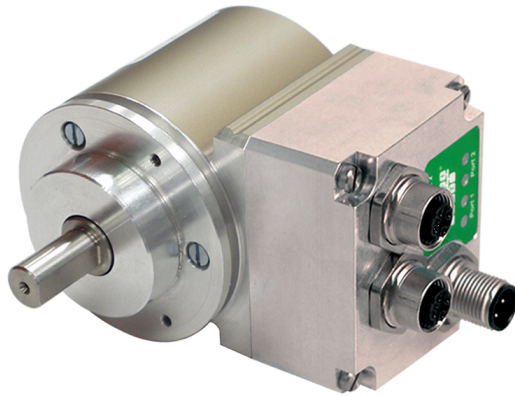
Ref.: K-COV58-PN-1

18.11.2013

010102005803030201

## Advantages

- \_ Customer-specific solutions
- \_ Flexible programming
- \_ Further interfaces available
- \_ High resolution system
- \_ Modular mechanical design
- \_ Modular product line
- \_ Short lead times



## General Data

Supply	
- Supply voltage	11...27 VDC
Current consumption no load	<= 350 mA
Device design	
- Type	Single-/Multi-Turn
Total resolution	<= 36 Bit
Number of steps per revolution	<= 262144
Number of revolutions	<= 256000
Output capacity	<= 30 Bit
PROFINET IO - Interface	
- PROFINET IO – Device	IEC 61158, IEC 61784-1
- Physical Layer	Fast Ethernet, ISO/IEC 8802-3
- PROFINET-Specification	V2.2
- Conformance Class	B, C
- Real-Time-Classes	Class 1, 2 (RT), Class 3 (IRT)
Transmission rate	
- Specific value	100 MBit/s
Cycle time	>= 1000 µs (IRT/RT)
Parameter/Function, changeable	Resolution
	Adjustment - Parameter
	Counting direction
Type of parametrization	programmable

Subject to change.

TR-Electronic GmbH  
 Eglisshalde 6  
 78647 Trossingen  
 Tel. +49 (0) 7425 228-0  
 info@tr-electronic.de  
[www.tr-electronic.de](http://www.tr-electronic.de)

# Absolute-Encoder COV58 - EPN

Ref.: K-COV58-PN-1

18.11.2013

010102005803030201

## General Data continuation

Prgramming - Tool	Fieldbus-Device
Maximum Speed, mechanically	<= 12000 1/min
Shaft load, axial/radial	<= 10 N, <= 20 N
Bearing life time	>= 3.9E+10 revolutions
Bearing life time - Parameter - Speed	6000 1/min
- Operating temperature	60 °C
- Shaft load, axial/radial	<= 5 N, <= 10 N
Point of origin, shaft load	at the shaft end
Angular acceleration	<= 10E+4 rad/s <sup>2</sup>
Moment of inertia, typically	2.5E-6 kg m <sup>2</sup>
Start-up torque, 20 °C	2 Ncm
Mass, typically	0.3...0.5 kg

## Environmental conditions

Vibration	
- Specific value	<= 100 m/s <sup>2</sup>
- Sine	50...2000 Hz
Shock	
- Specific value	<= 1000 m/s <sup>2</sup>
- Half sine	11 ms
Immunity to disturbance	DIN EN 61000-6-2
Transient emissions	DIN EN 61000-6-3
Working temperature	
- Standard	0...+60 °C
- Optional	-20...+70 °C;
Storage temperature, dry	-30...+80 °C
Relative humidity	98 %, non condensing
Protection class	
- Standard	IP65

Subject to change.

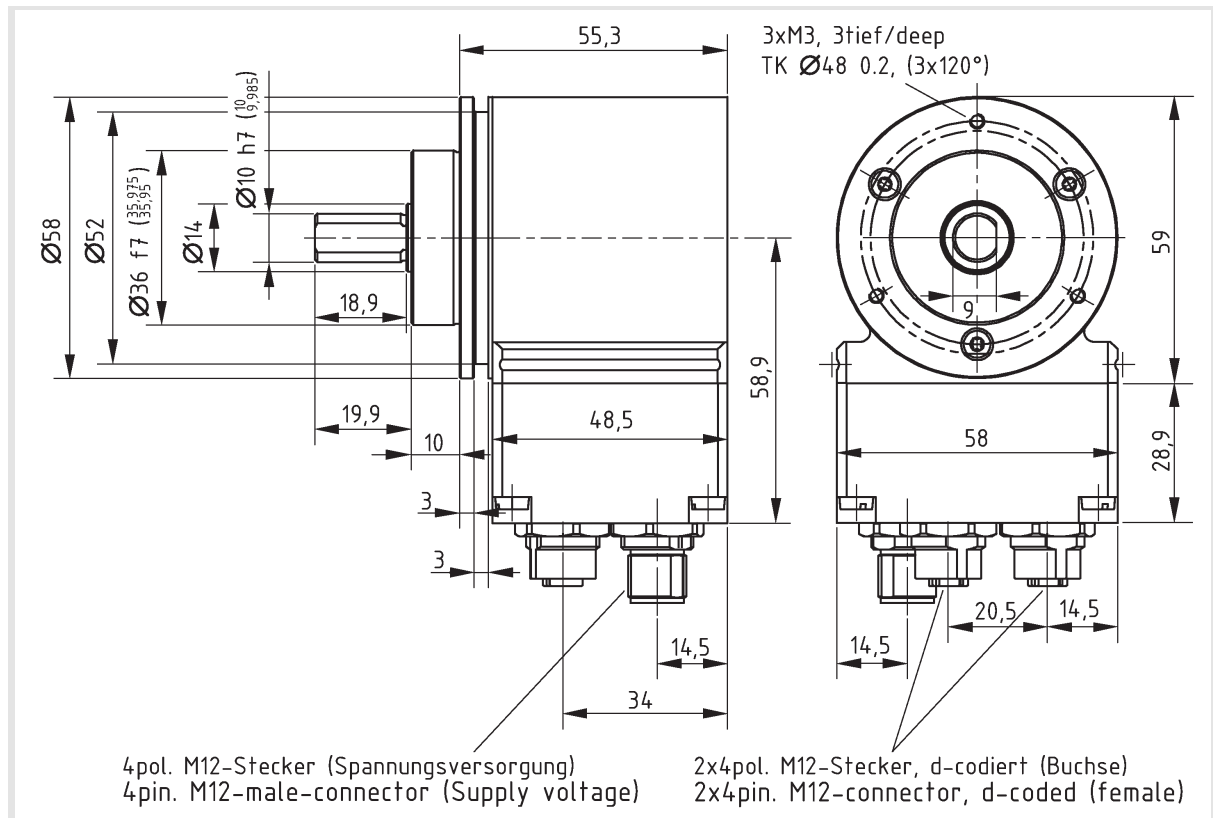
# Absolute-Encoder COV58 - EPN

Ref.: K-COV58-PN-1

18.11.2013

010102005803030201

## Dimensional drawing



## Suggested products

COV58M\*17BIT/4096 EPN 36ZB10FL  
3x 4 pol M12

COV58M-00017

Subject to change.