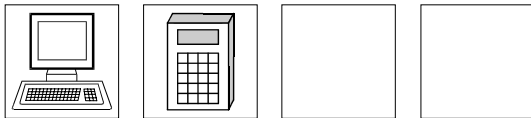


## Switch cabinet multi-module PT-100



- **Art.-No.: 490-00103**
- **Connecting link between programmer PT-100-N / PC and encoder (max. 5)**
- **For locking in on commercially available EN-mounting rails ( or )**

## Description

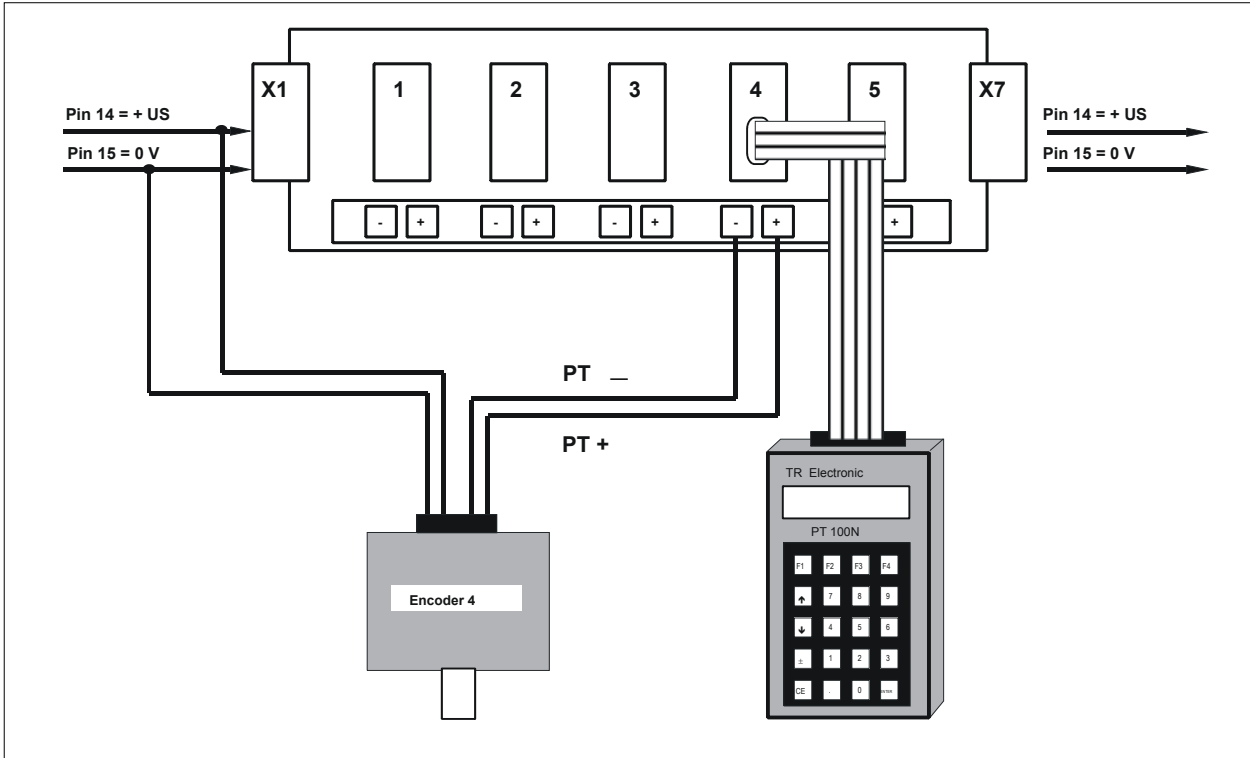
The multi-module PT-100 is used for the reprogramming of max. 5 encoders or linear encoders.

The connection of the PT Data + and – for each encoder occurs over a 2-pole terminal block. The voltage supply for the programming terminal is fed over the 15-pole SUB-D connector (X1) positioned on the side. In order to cascade further multi-modules, the right 15-pole SUB-D socket (X7) can be used.

## Pin configuration

X1	X2	X3	X4	X5	X6	X7
-	1 PT -	1 PT -	1 PT -	1 PT -	1 PT -	-
-	2 PT +	2 PT +	2 PT +	2 PT +	2 PT +	-
-	-	-	-	-	-	-
-	-	-	-	-	-	-
-	-	-	-	-	-	-
-	-	-	-	-	-	-
-	-	-	-	-	-	-
-	-	-	-	-	-	-
-	-	-	-	-	-	-
-	-	-	-	-	-	-
14 US 11-27V	14 US 11-27V	14 US 11-27V	14 US 11-27V	14 US 11-27V	14 US 11-27V	14 US 11-27V
15 0V, GND	15 0V, GND	15 0V, GND	15 0V, GND	15 0V, GND	15 0V, GND	15 0V, GND

### Connection example



### Dimensional drawing

