

Absolute-Encoder CEH80 - SSI

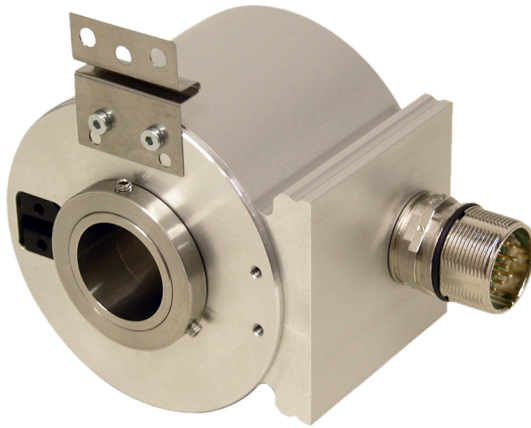
Ref.: K-CEH80-SSI-1

18.11.2013

010102008002010202

Advantages

- Customer-specific solutions
- Flexible programming



General Data

Supply	
- Supply voltage	11...27 VDC
Current consumption no load	<= 100 mA
Device design	
- Type	Single-/Multi-Turn
Total resolution	<= 33 Bit
Number of steps per revolution	<= 32768
Number of revolutions	<= 256000
SSI - Interface	
- SSI-Clock input	Optocoupler
- SSI-Data output	RS-422, 2-wire
- SSI-Clock frequency	80...1000 kHz
- SSI-Mono time, typically	20 μ s
Incremental - Interface	
- Equipment	Optional interface
- Signal form	Square wave
- Signal form, alternative	SIN / COS
- Incremental signals, square	K1 \pm K2 \pm K0 \pm
- Incremental signals, SIN/COS	SIN \pm COS \pm , 1 V _{ss}
- Impulses, square wave	<= 4096
- Impulses, SIN/COS	4096 \square
- Output driver, TTL	RS-422, 5 VDC

Subject to change.

TR-Electronic GmbH
Eglisshalde 6
78647 Trossingen
Tel. +49 (0) 7425 228-0
info@tr-electronic.de
www.tr-electronic.de

Absolute-Encoder CEH80 - SSI

Ref.: K-CEH80-SSI-1

18.11.2013

010102008002010202

General Data continuation

- Output driver, HTL	Push-Pull, 11...27 VDC
- Type of parametrization	programmable
Cycle time	0.250 μ s, internal
Parameter/Function, changeable	Resolution
	Output code
	Output format
	Preset parameter
	Toggle bit
	Counting direction
Type of parametrization	programmable
Prgramming - Tool	TR-Soft: TRWinProg
External inputs	
- F/R	Count direction
- Preset	electronic adjustment
- Logic level	"0" < +2V, "1" = Supply
Maximum Speed, mechanically	\leq 3000 1/min
Shaft load, axial/radial	Own mass
Bearing life time	\geq 3.9E+10 revolutions
Bearing life time - Parameter	
- Speed	3000 1/min
- Operating temperature	60 $^{\circ}$ C
Angular acceleration	\leq 10E+4 rad/s ²
Moment of inertia, typically	67E-6 kg m ²
Start-up torque, 20 $^{\circ}$ C	8 Ncm
Mass, typically	0.7 kg

Environmental conditions

Vibration	
- Specific value	\leq 100 m/s ²
- Sine	50...2000 Hz
Shock	
- Specific value	\leq 1000 m/s ²
- Half sine	11 ms
Immunity to disturbance	DIN EN 61000-6-2
Transient emissions	DIN EN 61000-6-3

Subject to change.

Absolute-Encoder CEH80 - SSI

Ref.: K-CEH80-SSI-1

18.11.2013

010102008002010202

Environmental conditions continuation

Working temperature	
- Standard	0...+60 °C
- Optional	-20...+70 °C;
Storage temperature, dry	-20...+85 °C
Relative humidity	98 %, non condensing
Protection class	
- Standard	IP54

Subject to change.

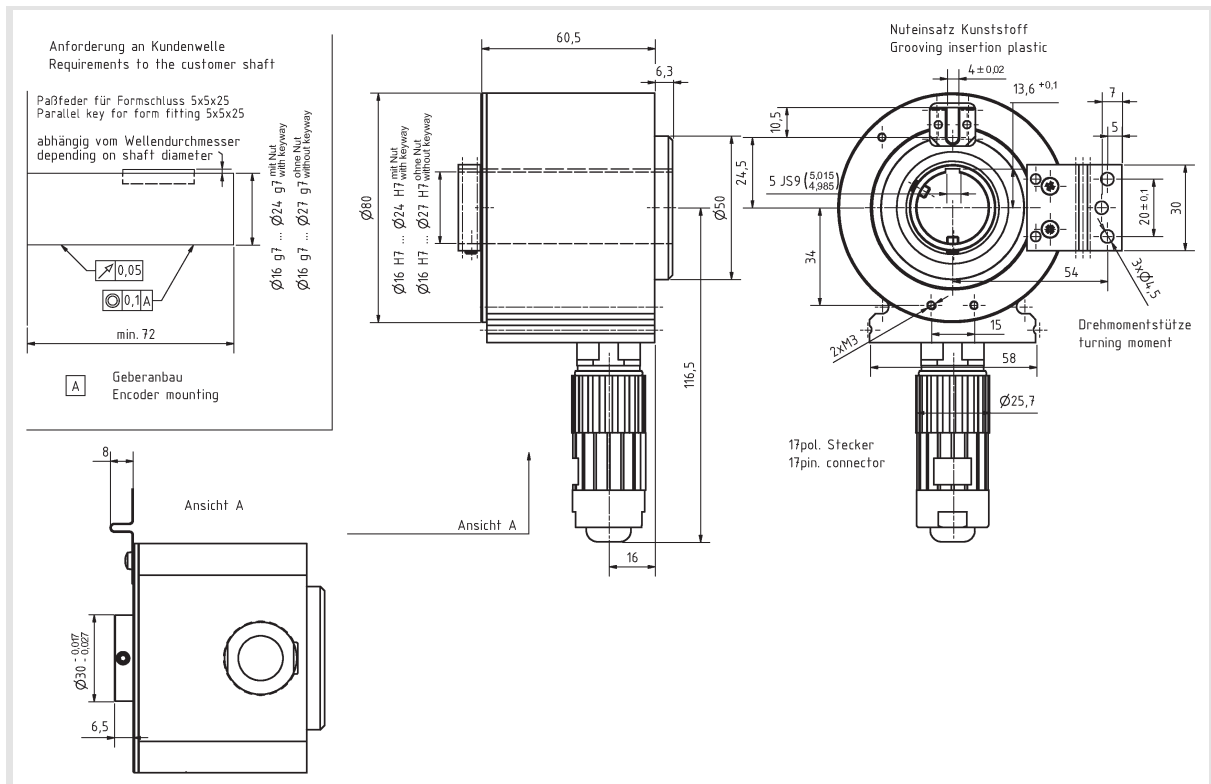
Absolute-Encoder CEH80 - SSI

Ref.: K-CEH80-SSI-1

18.11.2013

010102008002010202

Dimensional drawing



Suggested products

CEH80M*8192/4096 SSI 25H7 Stecker 12 pol M23	CEH80M-00001
CEH80M*4096/4096 SSI 20H7 Stecker 12 pol M23	CEH80M-00022
CEH80S*8192/1 SSI 25H7 Stecker 12 pol M23	CEH80S-00007

Subject to change.