

# Absolute-Encoder COV58 - CO

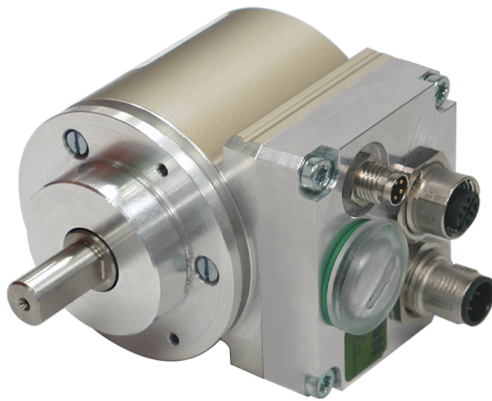
Ref.: K-COV58-CO-1

18.11.2013

010102005803020201

## Advantages

- \_ Customer-specific solutions
- \_ Flexible programming
- \_ Further interfaces available
- \_ High resolution system
- \_ Modular mechanical design
- \_ Modular product line
- \_ Short lead times



## General Data

Supply	
- Supply voltage	11...27 VDC
Current consumption no load	<= 150 mA
Device design	
- Type	Single-/Multi-Turn
Total resolution	<= 36 Bit
Number of steps per revolution	<= 262144
Number of revolutions	<= 256000
Output capacity	<= 32 Bit
CANopen - Interface	
- CANopen	EN 50325-4
- Bus connection	ISO 11898-1, ISO 11898-2
- CAN Specification 2.0 A	11-Bit Identifier
- Device-Profile for Encoder	CiA DS406
- Layer Setting Services, LSS	CiA DS305
Parameter/Function, changeable	Resolution
	Download, EDS file
	Firmware update
	Node-ID
	Preset parameter
	Transmission rate

Subject to change.

TR-Electronic GmbH  
 Eglisshalde 6  
 78647 Trossingen  
 Tel. +49 (0) 7425 228-0  
 info@tr-electronic.de  
[www.tr-electronic.de](http://www.tr-electronic.de)

# Absolute-Encoder COV58 - CO

Ref.: K-COV58-CO-1

18.11.2013

010102005803020201

## General Data continuation

	Counting direction
Type of parametrization	programmable
Prgramming - Tool	Fieldbus-Device
Maximum Speed, mechanically	$\leq 12000$ 1/min
Shaft load, axial/radial	$\leq 10$ N, $\leq 20$ N
Bearing life time	$\geq 3.9E+10$ revolutions
Bearing life time - Parameter - Speed	6000 1/min
- Operating temperature	60 °C
- Shaft load, axial/radial	$\leq 5$ N, $\leq 10$ N
Point of origin, shaft load	at the shaft end
Angular acceleration	$\leq 10E+4$ rad/s <sup>2</sup>
Moment of inertia, typically	2.5E-6 kg m <sup>2</sup>
Start-up torque, 20 °C	2 Ncm
Mass, typically	0.3...0.5 kg
Optional Parallel Outputs - Cam tracks	8 tracks
- Functions	High-/Low-Limit, hysteresis

## Environmental conditions

Vibration - Specific value	$\leq 100$ m/s <sup>2</sup>
- Sine	50...2000 Hz
Shock - Specific value	$\leq 1000$ m/s <sup>2</sup>
- Half sine	11 ms
Immunity to disturbance	DIN EN 61000-6-2
Transient emissions	DIN EN 61000-6-3
Working temperature - Standard	0...+60 °C
- Optional	-20...+70 °C;
Storage temperature, dry	-30...+80 °C
Relative humidity	98 %, non condensing
Protection class - Standard	IP65

Subject to change.

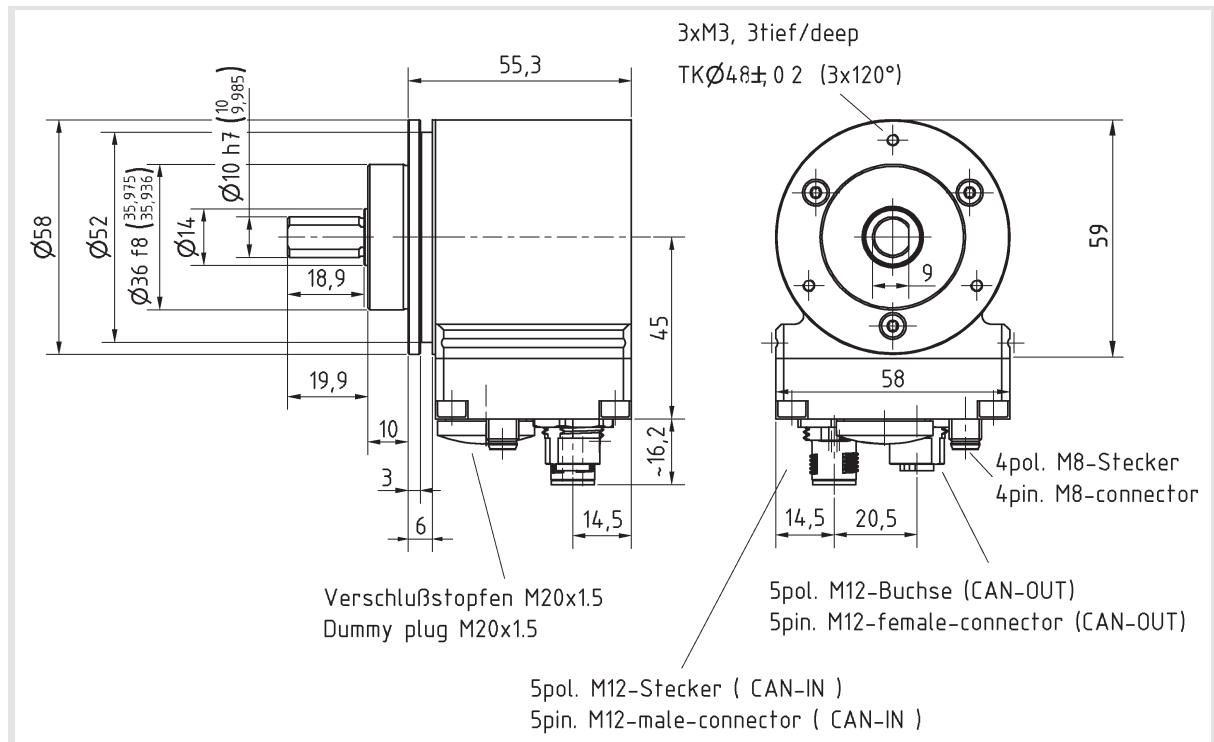
# Absolute-Encoder COV58 - CO

Ref.: K-COV58-CO-1

18.11.2013

010102005803020201

## Dimensional drawing



## Suggested products

COV58M\*262144/4096 CO 36ZB10FL  
2x 5 pol M12 1x 4 pol M8

COV58M-00024

COV58S\*32768 /1 CO 36ZB10FL  
2x 5 pol M12 1x 4 pol M8

COV58S-00031

Subject to change.