

Absolute-Encoder CMV36S - SSI



Ref.: K-CMV36-SSI-1

18.11.2013

010102003601010101

Advantages

- _ Customer-specific solutions
- _ Encapsulated electronics
- _ Further interfaces available
- _ High-pressure jet protected
- _ Very small construction

General Data

Supply	
- Supply voltage	11...27 VDC
- Optional	5 VDC \pm 10 %
Current consumption no load	\leq 40 mA
Device design	
- Type	Single-Turn
Total resolution	\leq 12 Bit
Number of steps per revolution	\leq 4096
Accuracy	\pm 1,4 °
SSI - Interface	
- SSI-Clock input	Optocoupler
- SSI-Data output	RS-485, 2-wire
- SSI-Clock frequency	80...1000 kHz
- SSI-Mono time, typically	20 μ s
Parameter/Function, changeable	Resolution
	Output code
	Number of data bits
	Adjustment - Parameter
	SSI-Output
	Counting direction
Type of parametrization	programmable

Subject to change.

TR-Electronic GmbH
 Eglisshalde 6
 78647 Trossingen
 Tel. +49 (0) 7425 228-0
 info@tr-electronic.de
www.tr-electronic.de

Absolute-Encoder CMV36S - SSI

Ref.: K-CMV36-SSI-1

18.11.2013

010102003601010101

General Data continuation

Prgramming - Tool	TR-Soft: TRWinProg
External inputs - F/R	Count direction
- Preset	electronic adjustment
- Logic level	"0" < +2V, "1" = Supply
Maximum Speed, mechanically	<= 6000 1/min
Shaft load, axial/radial	<= 5 N, <= 10 N
Bearing life time	>= 3.9E+10 revolutions
Bearing life time - Parameter - Speed	3000 1/min
- Operating temperature	60 °C
- Shaft load, axial/radial	<= 5 N, <= 10 N
Point of origin, shaft load	at the shaft end
Angular acceleration	<= 10E+4 rad/s ²
Moment of inertia, typically	2.5E-6 kg m ²
Start-up torque, 20 °C	2 Ncm
Mass, typically	0.15 kg

Environmental conditions

Vibration - Specific value	<= 100 m/s ²
- Sine	50...2000 Hz
Shock - Specific value	<= 1000 m/s ²
- Half sine	11 ms
Immunity to disturbance	DIN EN 61000-6-2
Transient emissions	DIN EN 61000-6-3
Working temperature - Standard	-25...+70 °C
Storage temperature, dry	-20...+85 °C
Relative humidity	98 %
Protection class - Standard	IP65
- Optional	IP69K

Subject to change.

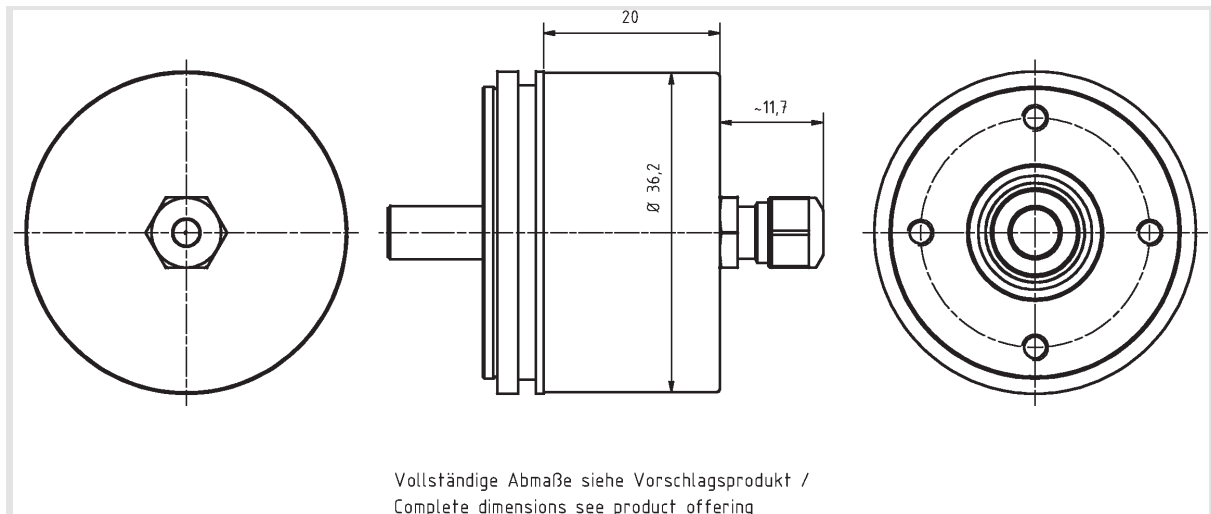
Absolute-Encoder CMV36S - SSI

Ref.: K-CMV36-SSI-1

18.11.2013

010102003601010101

Dimensional drawing



Suggested products

CMV36S*4096/1 V000 SSI 33ZB6GL
1 m Ltg., IP65

CMV36S-00005

Subject to change.