

## Absolute-Encoder CMV22 - ASI

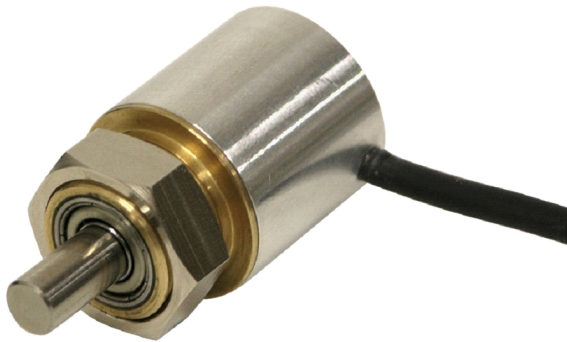
Ref.: K-CMV22-ASI-1

18.11.2013

010102002201010201

### Advantages

- \_ Alternative for potentiometers
- \_ Customer-specific solutions
- \_ Further interfaces available
- \_ Very small construction



### General Data

Supply	
- Supply voltage	18...27 VDC
Current consumption no load	<= 50 mA
Device design	
- Type	Single-/Multi-Turn
Total resolution	<= 24 Bit
Number of steps per revolution	<= 4096
Number of revolutions	<= 4096
Accuracy	$\pm 1,0^\circ$
ASI - Interface	
- Data transmission	RS-422, 2-wire
- Protocol	on request
- Data format	ASCII
Cycle time	500 $\mu$ s
Parameter/Function, changeable	Resolution
Type of parametrization	Factory setting
External inputs	
- F/R	Count direction
- Logic level	"0" < +2V, "1" = Supply
Maximum Speed, mechanically	<= 10000 1/min
Shaft load, axial/radial	<= 10 N, <= 5 N
Bearing life time	>= 30E+9 revolutions

Subject to change.

TR-Electronic GmbH  
 Eglisshalde 6  
 78647 Trossingen  
 Tel. +49 (0) 7425 228-0  
 info@tr-electronic.de  
[www.tr-electronic.de](http://www.tr-electronic.de)

## Absolute-Encoder CMV22 - ASI

Ref.: K-CMV22-ASI-1

18.11.2013

010102002201010201

### General Data continuation

Bearing life time - Parameter - Speed	3000 1/min
- Operating temperature	$\leq 25$ °C
- Shaft load, axial/radial	$\leq 5$ N, $\leq 2,5$ N
Point of origin, shaft load	at the shaft end

### Environmental conditions

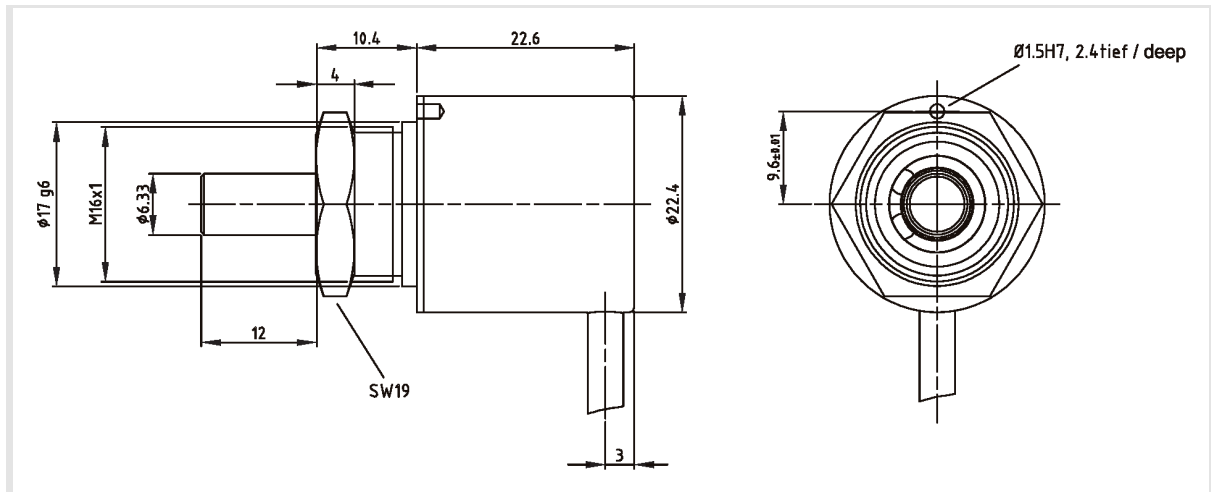
Vibration - Specific value	$\leq 100$ m/s <sup>2</sup>
- Sine	50...2000 Hz
Shock - Specific value	$\leq 1000$ m/s <sup>2</sup>
- Half sine	11 ms
Immunity to disturbance	DIN EN 61000-6-2
Transient emissions	DIN EN 61000-6-3
Working temperature - Standard	0...+60 °C
Storage temperature, dry	0...+85 °C
Protection class - Standard	IP64

Subject to change.

# Absolute-Encoder CMV22 - ASI

Ref.: K-CMV22-ASI-1  
18.11.2013  
010102002201010201

## Dimensional drawing



Subject to change.