

Absolute-Encoder COV65 - SSI

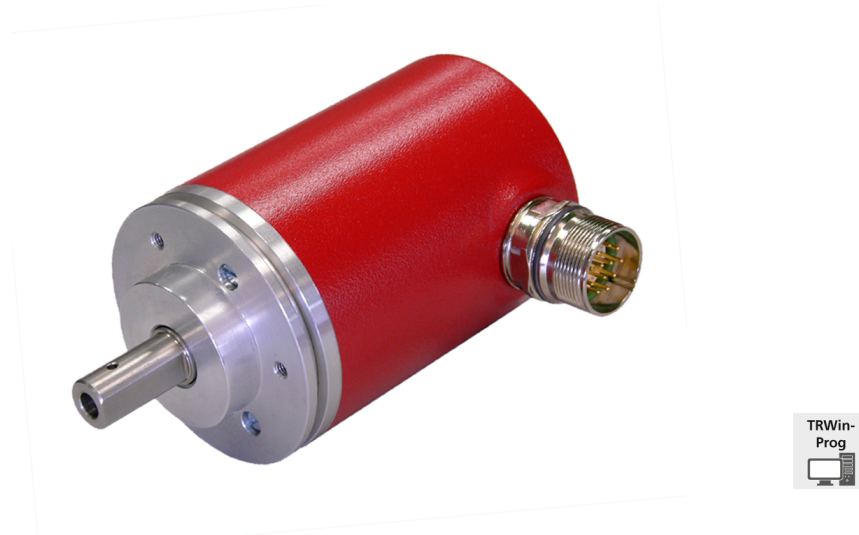
Ref.: K-COV65-SSI-1

18.11.2013

010102006503010201

Advantages

- _ Customer-specific solutions
- _ Flexible programming
- _ Further interfaces available
- _ High resolution system
- _ Modular mechanical design
- _ Modular product line



General Data

Supply	
- Supply voltage	11...27 VDC
Current consumption no load	<= 350 mA
Device design	
- Type	Single-/Multi-Turn
Total resolution	<= 36 Bit
Number of steps per revolution	<= 262144
Number of revolutions	<= 256000
SSI - Interface	
- SSI-Clock input	Optocoupler
- SSI-Data output	RS-422, 2-wire
- SSI-Clock frequency	80...1000 kHz
- SSI-Mono time, typically	15 µs, 20 µs, 50 µs, 500 µs
Incremental - Interface	
- Equipment	Optional interface
- Incremental signals, square	K1± K2±
- Impulses, square wave	1024 or 2048
- Output driver, TTL	RS-422, 5 VDC
Parameter/Function, changeable	Resolution
	Output code
	Output format
	Mono time

Subject to change.

TR-Electronic GmbH
 Eglisshalde 6
 78647 Trossingen
 Tel. +49 (0) 7425 228-0
 info@tr-electronic.de
www.tr-electronic.de

Absolute-Encoder COV65 - SSI

Ref.: K-COV65-SSI-1
 18.11.2013
 010102006503010201

General Data continuation

	Preset parameter
	Parity
	Toggle bit
	Counting direction
Type of parametrization	programmable
Prgramming - Tool	TR-Soft: TRWinProg
External inputs - F/R	Count direction
- Preset	electronic adjustment
- Logic level	"0" < +2V, "1" = Supply
Maximum Speed, mechanically	<= 6000 1/min
Shaft load, axial/radial	<= 40 N, <= 60 N
Bearing life time	>= 3.9E+10 revolutions
Bearing life time - Parameter - Speed	3000 1/min
- Operating temperature	60 °C
- Shaft load, axial/radial	<= 20 N, <= 30 N
Point of origin, shaft load	at the shaft end
Angular acceleration	<= 10E+4 rad/s ²
Moment of inertia, typically	2.5E-6 kg m ²
Start-up torque, 20 °C	2 Ncm
Mass, typically	0.7 kg

Environmental conditions

Vibration - Specific value	<= 100 m/s ²
- Sine	50...2000 Hz
Shock - Specific value	<= 1000 m/s ²
- Half sine	11 ms
Immunity to disturbance	DIN EN 61000-6-2
Transient emissions	DIN EN 61000-6-3
Working temperature - Standard	0...+60 °C
- Optional	-20...+70 °C;
Storage temperature, dry	-30...+80 °C

Subject to change.

Absolute-Encoder COV65 - SSI

Ref.: K-COV65-SSI-1

18.11.2013

010102006503010201

Environmental conditions continuation

Relative humidity	98 %, non condensing
Protection class - Standard	IP65

Subject to change.

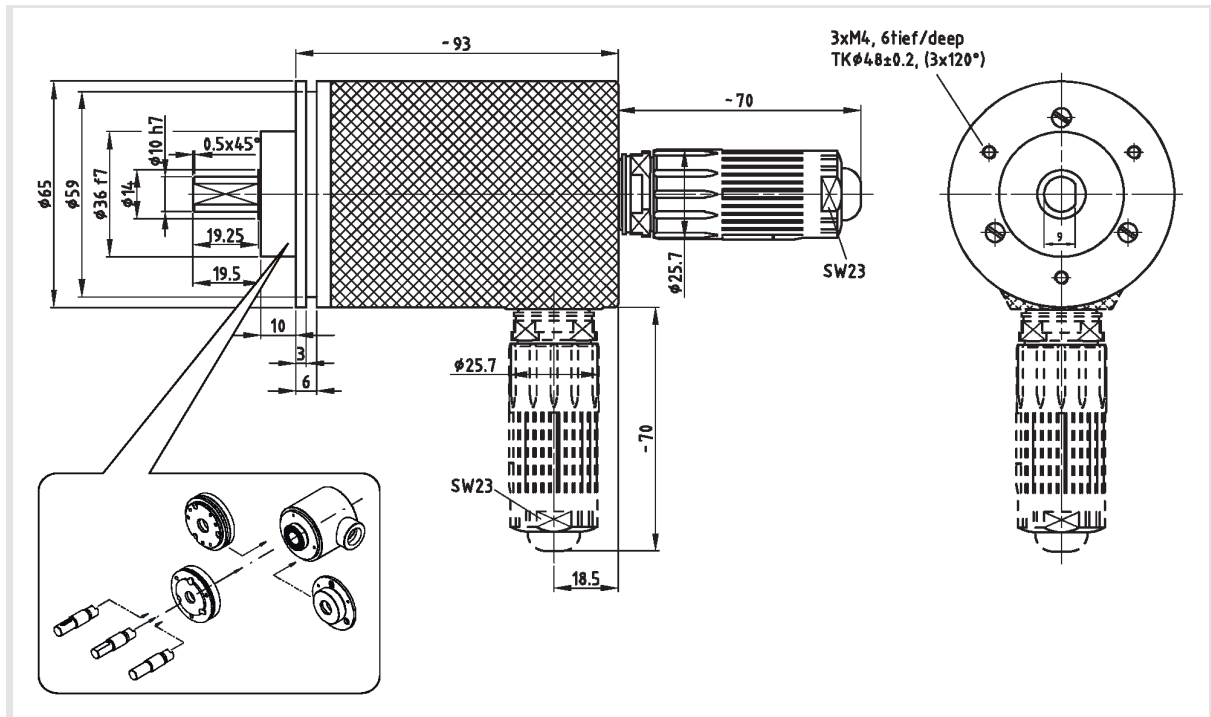
Absolute-Encoder COV65 - SSI

Ref.: K-COV65-SSI-1

18.11.2013

010102006503010201

Dimensional drawing



Subject to change.