



Model Number

RHI58N-0AYKYR61N-01024

Features

- Industrial standard housing Ø58 mm
- Up to 5000 ppr
- Hollow shaft
- 10 V ... 30 V with short-circuit proof push-pull output

Description

Compatibility says it all for this incremental rotary encoder.

All six output channels are fitted for this incremental rotary encoder. It can thus be used universally in many different applications.

Focussing on the designs that are most often required has allowed us to offer rapid availability at an attractive price.

Technical data

General specifications

Detection type	photoelectric sampling
Pulse count	1024

Functional safety related parameters

MTTF _d	140 a
Mission Time (T _M)	20 a
L _{10h}	70 E+9 at 6000 rpm
Diagnostic Coverage (DC)	0 %

Electrical specifications

Operating voltage U _B	10 ... 30 V DC
No-load supply current I ₀	max. 60 mA

Output

Output type	push-pull, incremental
Voltage drop U _d	< 3 V
Load current	max. per channel 40 mA , short-circuit protected, reverse polarity protected
Output frequency	max. 200 kHz
Rise time	400 ns

Standard conformity

Protection degree	DIN EN 60529, IP54
Climatic testing	DIN EN 60068-2-78 , no moisture condensation
Emitted interference	EN 61000-6-4:2007
Noise immunity	EN 61000-6-2:2005
Shock resistance	DIN EN 60068-2-27, 100 g, 3 ms
Vibration resistance	DIN EN 60068-2-6, 10 g, 10 ... 2000 Hz

Ambient conditions

Operating temperature	-5 ... 60 °C (23 ... 140 °F) , movable cable -20 ... 60 °C (-4 ... 140 °F), fixed cable
Storage temperature	-40 ... 70 °C (-40 ... 158 °F)

Mechanical specifications

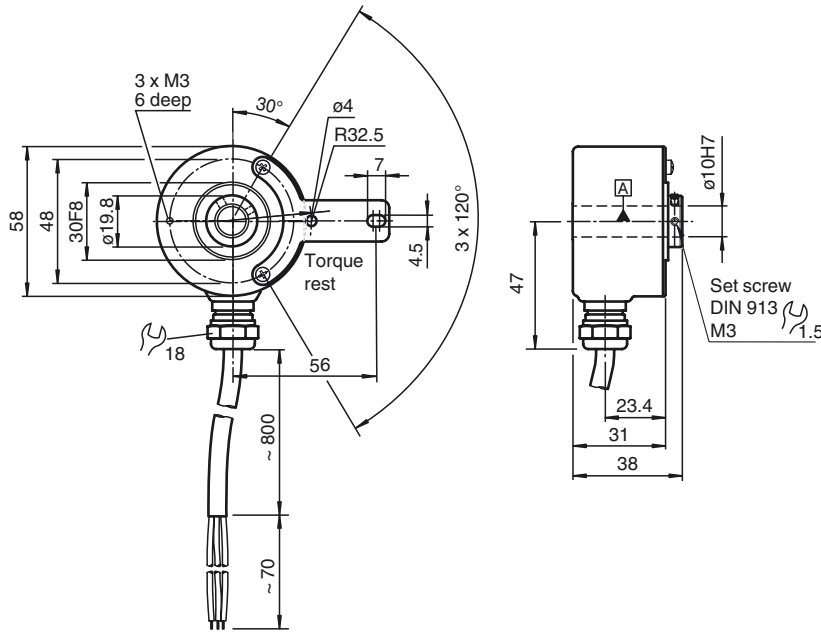
Shaft diameter	10 mm
Connection	870 mm PVC cable Ø7.8 mm, 6 x 2 x 0.14 mm ² , Stripped length 70 mm with connector sleeves

Material	
Housing	powder coated aluminum
Flange	3.1645 aluminum
Shaft	Stainless steel 1.4305 / AISI 303
Mass	approx. 290 g
Rotational speed	max. 6000 min ⁻¹
Moment of inertia	≤ 40 gcm ²
Starting torque	≤ 1.5 Ncm
Shaft load	
Angle offset	1 °
Axial offset	max. 1 mm

Approvals and certificates

UL approval	cULus Listed, General Purpose, Class 2 Power Source
-------------	---

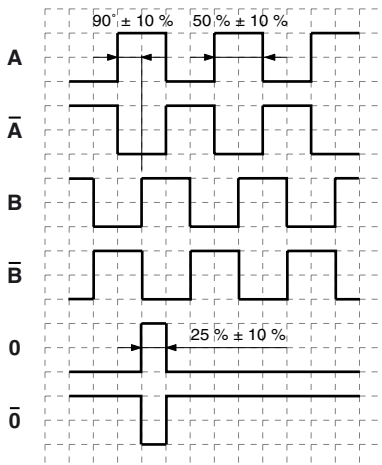
Dimensions



Electrical connection

Signal	Cable
GND	White
U _b	Brown
A	Green
B	Grey
\bar{A}	Yellow
\bar{B}	Pink
0	Blue
$\bar{0}$	Red

Signal outputs



↻ cw - with view onto the shaft clamping ring

Release date: 2012-02-06 11:12 Date of issue: 2012-02-06 232183_eng.xml

Order code

R	H	I	5	8	N	-	0	A	Y	K	Y	R	6	1	N	-	0	1	0	2	4
---	---	---	---	---	---	---	---	---	---	---	---	---	---	---	---	---	---	---	---	---	---

Pulse count 1024

Option

N normal

Output switching

1 10 V ... 30 V, push-pull

Signal output

6 $A + B + 0$ and $\bar{A} + \bar{B} + \bar{0}$

Exit position

R radial

Connection type

KY customer specific, see electrical connection

Flange version

Y customer specific torque rest orientation

Shaft dimension

0A hollow shaft, $d = 10$ mm

Housing material

N aluminium, powder coated

Shaft version

H hollow shaft